

SINK SPECIFICATIONS

Model 1618um18

FEATURES:

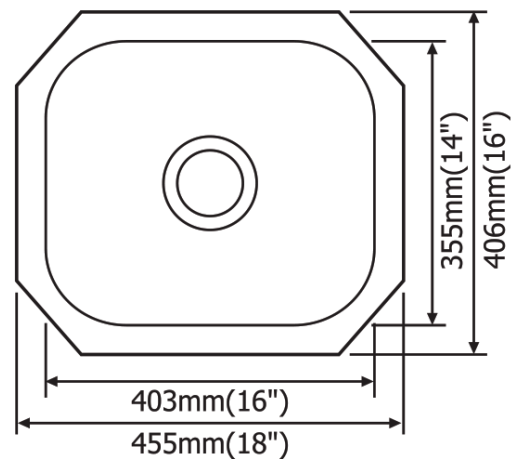
- * 18 gauge, 304 series stainless steel
- * Rear Drain Placement
- * Design allows for easy installation in standard 25" countertop
- * Sound deadening insulation and pads



NOMINAL DIMENSIONS

Model 1618UM18 shown

OVERALL	BOWL DEPTH	DRAIN
18"x 16"	9"	3-1/2"



OPTIONAL ACCESSORIES

Stainless Steel Sink Grids: 1618GRID